

OLD WORLD STONE IMPORTS

STONE DIRECTLY IMPORTED FROM COUNTRIES AROUND THE WORLD STRAIGHT TO YOU!!!



EBBE DRAIN SYSTEM

Orem:

1514 W. 400 S. #1
Orem, Utah 84058
Ph: 801-431-0137
Fx: 801-224-5859
Email: OWSI_Orem@hotmail.com

Salt Lake:

2984 S. 300 W.
SLC, Utah 84115
Ph: 801-484-6000
Fx: 801-484-6025
Email: OWSI_SL@hotmail.com

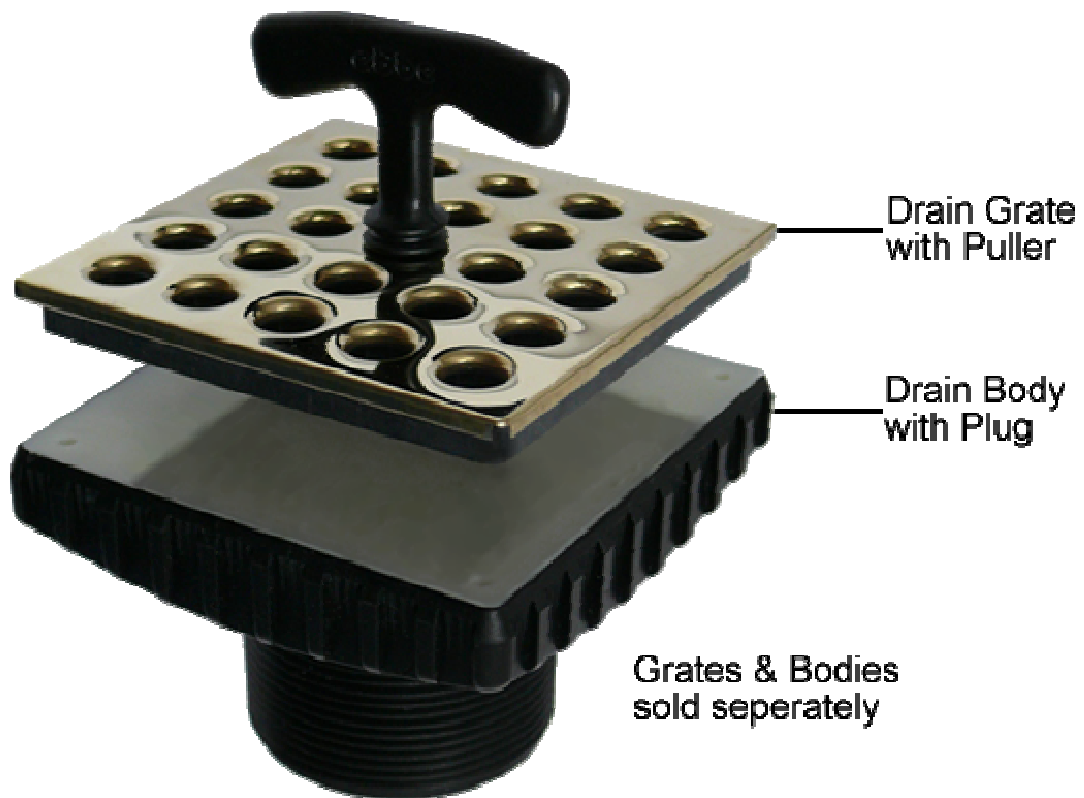
St. George:

1509 S. 270 E. #2
STG, Utah 84790
Ph: 435-673-3200
Fx: 435-674-3601
Email: OWSI_STG@hotmail.com

WWW.OldWorldStoneImports.com

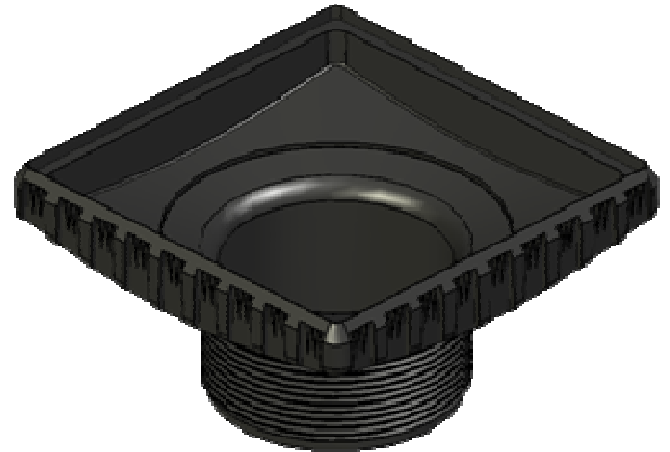
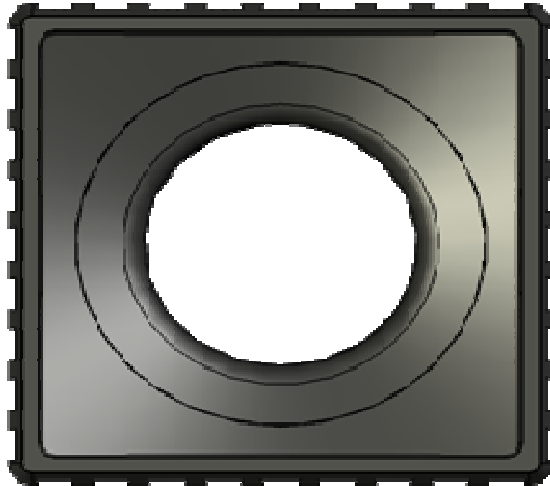
PRODUCTS

E4400 Drain



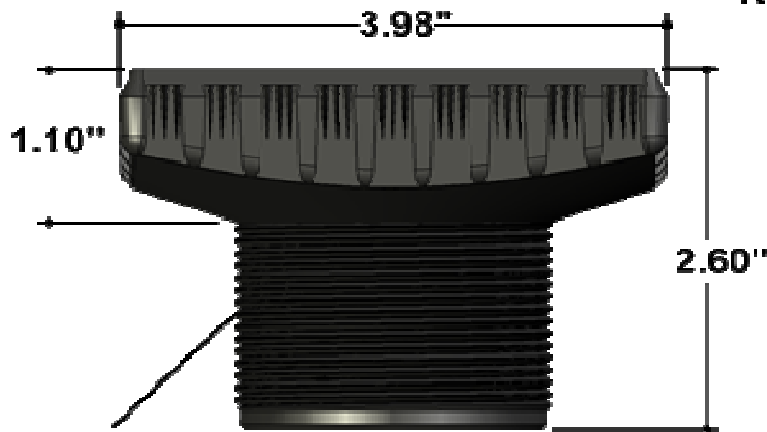
PRODUCTS

Specifications

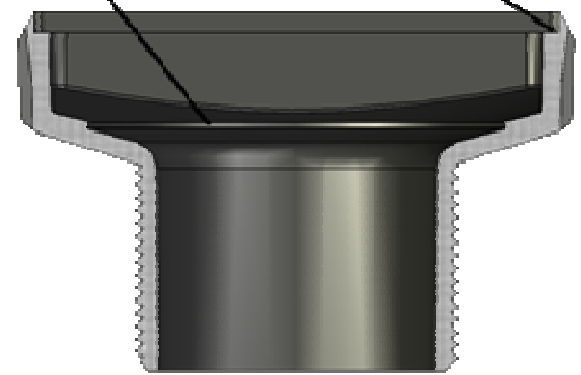


HAIR TRAP
RECESS

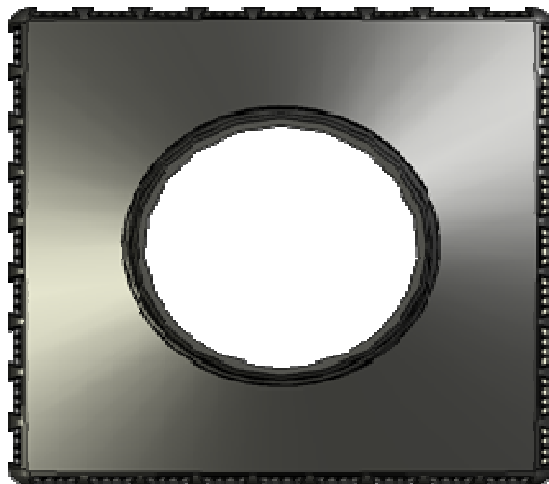
SUPPORT
LEDGE



2" STRAIGHT
PIPE THD.



2.00" DIA.



GROUT
LOCKING
FEATURES

ebbe[™]
A M E R I C A

E4400
SQUARE DRAIN
BODY

Material: Black ABS

PRODUCTS

Color

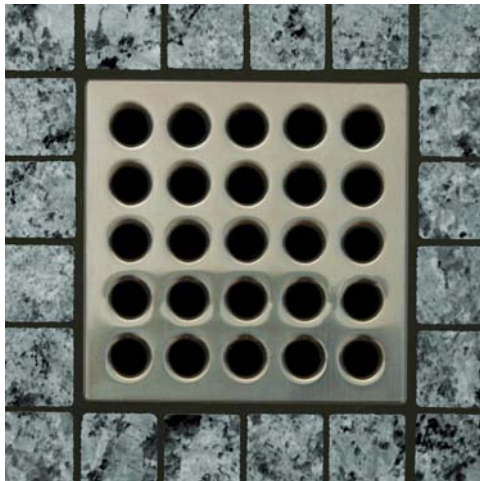
Polished Chrome



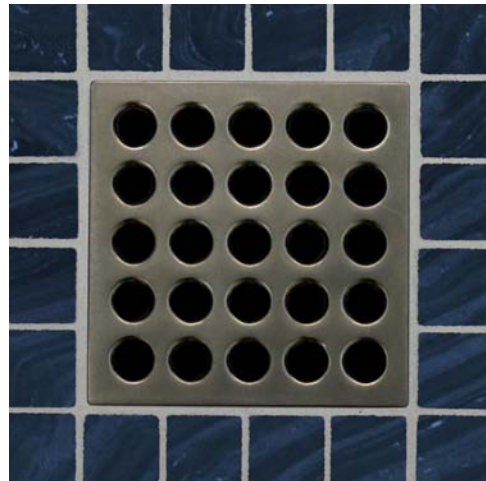
Bright Brass



Brushed Nickel



Antique Pewter



Oil Rubbed Bronze



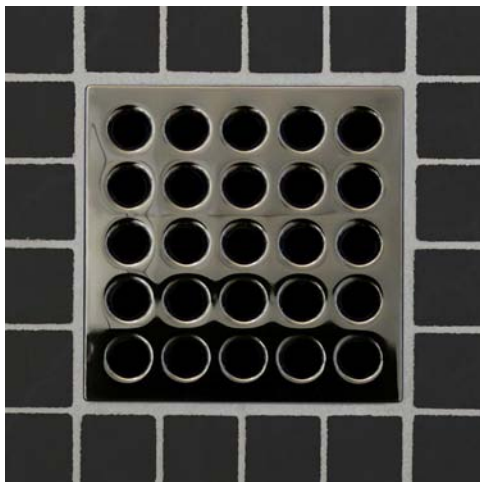
PRODUCTS

Color

Brushed Bronze



Black Chrome



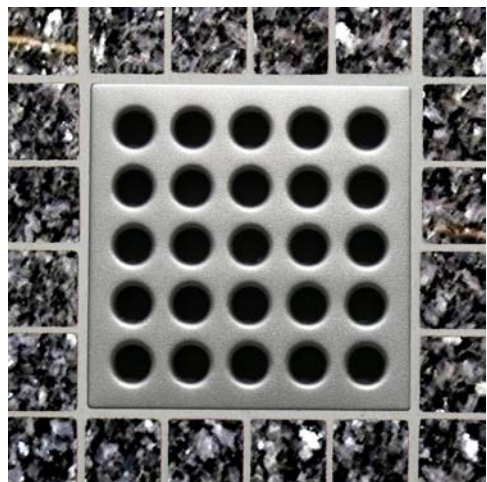
Polished Copper



Polished Nickel



Satin Nickel

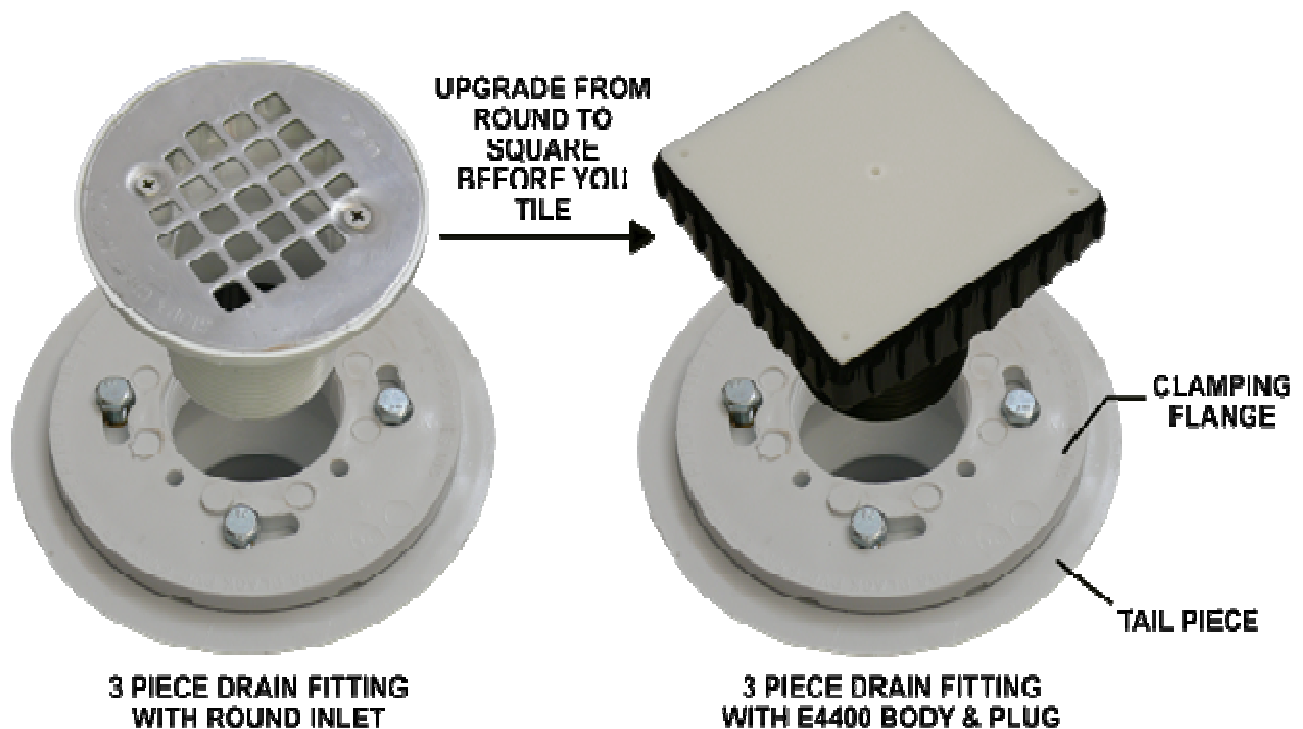


INSTALLATION

General Installation

Attaching to common Plastic shower drain fittings

Ebbe Drains fit directly into most common 2" (pipe size) ABS or PVC 3 piece shower drain fittings. The E4400 Square Drain Body & Plug replaces the "Riser" or "Inlet" portion of these drains. In most cases this simply requires the round "Riser" or "inlet" portion of the drain to be removed and replaced by the E4400.



The fit between the E4400 and the clamping flange of each drain brand will vary. Some will fit looser than others. If the fit is too loose to create good thread engagement Teflon plumbers tape can be used to build up the E4400 to a larger diameter as needed to create a snug fit. The sole purpose of the threaded fit is to allow the E4400 to be raised by unscrewing it later in the process of building and tiling the shower floor. It is helpful to realize that these threads are not intended to ultimately carry the structural load of foot traffic over the drain. Those loads are carried by the mortar bed that is packed beneath and around the square bowl of the E4400 drain body when properly constructed.

If possible, bring the E4400 with you when selecting a mating drain fitting.

Adapters

Ebbe makes a limited number of adapters that will alter some specific drain types to be compatible with the E4400 Drain Body. These are usually drains that are popular within select geographic regions of the USA and Canada.

INSTALATION

General Installation

1. Replace the round drain riser portion of a common 3 piece shower drain with the ebbe Square Drain Body & Plug. Adjust the E4400 to proper mortar bed height.

NTCA specifications require that the minimum mortar bed thickness at the drain be no less than 1 3/8" thick. We assume that this means the thickness above the waterproofing membrane. This is the requirement when building a common "floating" mortar bed. One that does not bond to the waterproofing material below it. Non-bonding waterproofing materials include flexible sheet vinyl, rubber, Chloraloy, and Hot Tar.

There is no such thickness requirement when the mortar bed is installed over a bondable waterproofing such as a fabric faced membrane, pressure sensitive faced composite, or a properly applied liquid waterproofing layer.

2. Install, compact and screed a sloped mortar bed to the top of the E4400 drain Plug surface. While the mortar is still workable clear and maintain a 6" diameter mortar free area around the drain to permit the E4400 to be raised by unscrewing.
3. Raise the Drain Riser by twisting it out to the desired tile + thinset mortar height soon after the slope is established.
4. Compact and screed mortar immediately around and beneath the E4400.
5. Check tile height again. Make any height adjustments now. It is a better practice to make the drain slightly high rather than too low. You can always float the tile higher with more mortar behind it. Allow the mortar bed to cure.
6. Install tile over the cured mortar bed. Grout the shower as usual and to the E4400 keeping the Plug in place. Keep the grout level as high as possible surrounding the drain. Do not remove the Plug until the grout has thoroughly cured. The plug keeps the drain opening absolutely square and at the perfect size for a proper fit to the Drain Grate. Removing the plug prematurely can cause the grout to crack and will create an improper fit to the grate.

WARRANTY

Lifetime Drain Grate and Finish Limited Warranty

Drain Grates and finishes of Ebbe Drains are warranted to the original consumer purchaser to be free from defects in material and workmanship for as long as the original consumer purchaser owns their home. Ebbe recommends using a professional tile contractor for installation.

Ebbe will replace, **FREE OF CHARGE**, during the warranty period, any part or finish that proves defective in material and/or workmanship under normal installation, use and service. Replacement parts may be obtained by calling 1-801-820-7200 or by writing:

Ebbe America LC
Product Service
P.O. Box 160496
Clearfield, UT 84016

This warranty is extensive in that it covers replacement of all defective parts and even finish, but these are the only two things that are covered. **LABOR CHARGES AND/OR DAMAGE INCURRED IN INSTALLATION, REPAIR, OR REPLACEMENT, AS WELL AS ANY OTHER KIND OF LOSS OR DAMAGE ARE EXCLUDED.** Proof of purchase (original sales receipt) from the original consumer purchaser must be made available to Ebbe for all warranty claims. **THIS IS THE EXCLUSIVE WARRANTY BY EBBE AMERICA, LC, WHICH DOES NOT MAKE ANY OTHER WARRANTY OF ANY KIND, INCLUDING THE IMPLIED WARRANTY OF MERCHANT ABILITY.**

This warranty excludes all industrial, commercial and business usage, of drains whose purchasers are hereby extended a five-year limited warranty from the date of purchase, with all other terms of this warranty applying except the duration of the warranty. This warranty is applicable only to Ebbe Drains manufactured after August 1, 2006.

Some states do not allow the exclusion or limitation of incidental or consequential damages, so the above limitation or exclusion may not apply to you. Any damages to this drain as a result of misuse, abuse, or neglect or any use of other than genuine Ebbe replacement parts **WILL VOID THE WARRANTY.**

This warranty gives you specific legal rights, and you may also have other rights which vary from state to state. It applies only to Ebbe drains installed in the United States of America, Canada and Mexico.

If you have any questions or concerns regarding our warranty plan, please email Ebbe Drains, or call 801-820-7200

What features of Ebbe Square Drains make them the best choice for ceramic tiled showers?

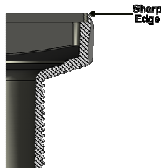
Square shape. It's easier to cut tile to a square drain than to cut, nip and grind to fit a round one. Simple cuts are easily made, and waste little precious time. Ebbe drains are sized to match standard ½", 1", 2", and 4" tile without cutting. When cutting is needed, cuts are straight saw cuts. No grinding to match a radius. Consider the how much easier mosaics will be to install.



Composite Drain Grates. More than a flat piece of metal with holes E4400 series drain grates have a composite structure. Each grate has a 11mm deep sectional frame molded from a GFABS that gives it the strength to support a 300lb load on center. A highly formed 304 stainless clad surface gives the look of a substantial structure with clean rounded edges on all sides.



Minimal Grout Rim. Our wedge shaped integrated grout rim provides a rigid frame to grout to and nothing more. The job of the grout rim is to support the grout behind it and provide a perfect fit for the drain grate without being noticed. It gives the Ebbe Square Drain its clean look and allows the grate to set into the grout like a tile without the appearance of a frame.



Grout Locking Perimeter Edges. One of the most distinct features of the ebbe drain body is its heavily undercut Grout Locking Edges. These features insure that the ebbe drain is thoroughly attached to the surrounding mortar and structure.



PVD finishes. E4400 Series Square Drains are stocked in ten PVD finishes that compliment today's plumbing. Homeowners, tired of flimsy looking round drains get excited about being offered quality drains to match their designer plumbing.

Did you know that much of today's shower plumbing is easily upgraded? While valves within shower walls remain the same, the designer appearance and finish of showerheads and controls can be replaced and upgraded as needed. Finishes for Ebbe Square Drains are also easily upgraded as trends change by simply changing out the drain grate.

No Screws Please! Screws are a bother to remove when you have to retrieve an earring or remove trapped hair. We could see the first time someone removed a screw with a warn out screwdriver, the finish would get damaged. Little screws can pop out of your fingers into the drain and get lost! People would be calling us for replacements. How would we replace all those designer screws in ten different finishes anyway? Each of our drains is provided with a simple "twist and tug" grate puller. Keep the puller in a drawer until it's needed, then simply engage the puller into the grate and pull it straight out!

OLD WORLD STONE

IMPORTS

STONE

... FROM
AROUND THE WORLD

Orem:

1514 W. 400 S. #1
Orem, Utah 84058
Ph: 801-431-0137
Fx: 801-224-5859
Email: OWSI_Orem@hotmail.com

Salt Lake:

2984 S. 300 W.
SLC, Utah 84115
Ph: 801-484-6000
Fx: 801-484-6025
Email: OWSI_SL@hotmail.com

St. George:

1509 S. 270 E. #2
STG, Utah 84790
Ph: 435-673-3200
Fx: 435-674-3601
Email: OWSI_STG@hotmail.com

WWW.OldWorldStoneImports.com